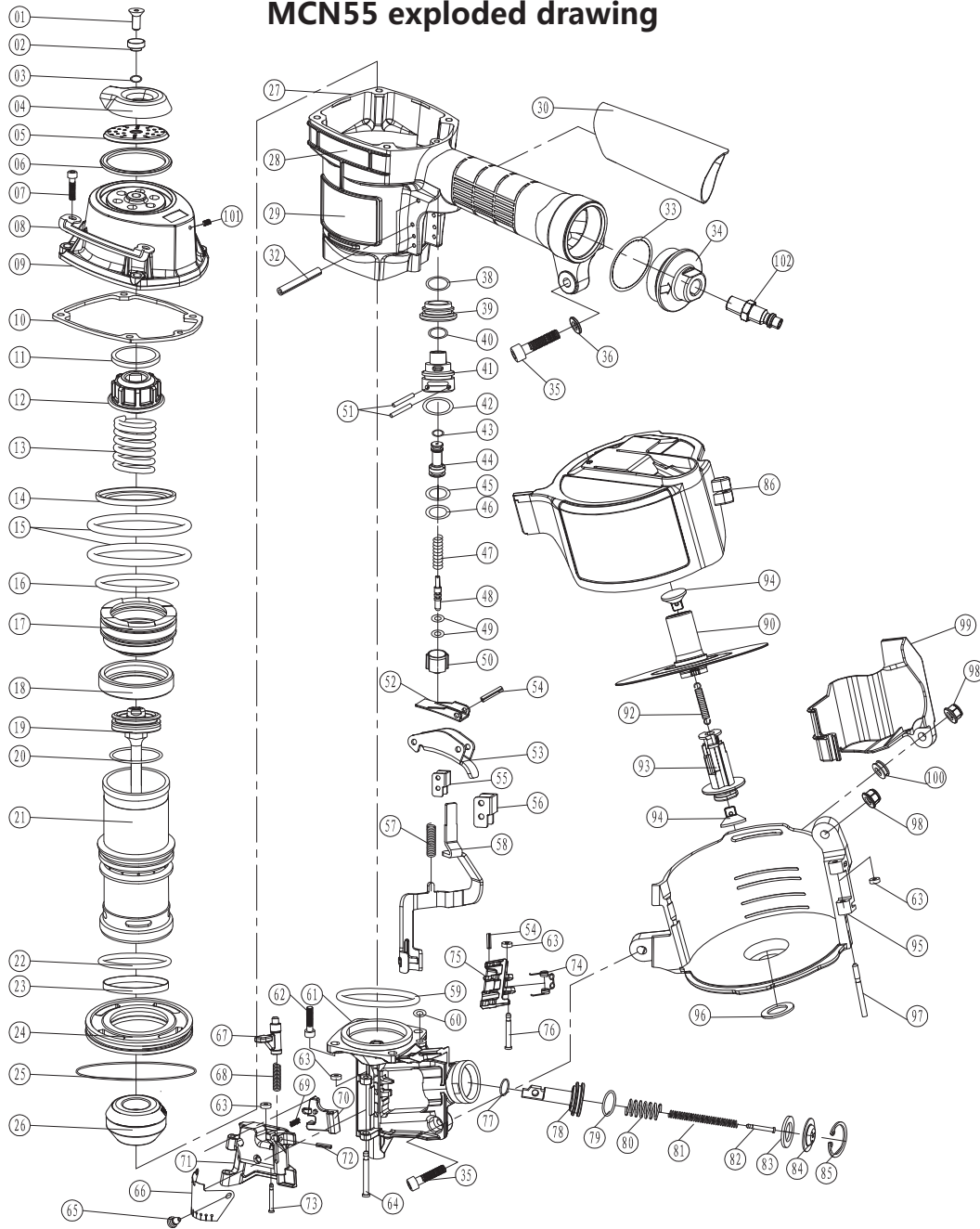


BAT-CN55

MCN55 exploded drawing



MCN55 exploded drawing

NO	Description	QTY
01	Hex Bolt M8*20	1
02	Cylinder pin	1
03	O-ring 10*2	1
04	Exhaust Deflector	1
05	Exhaust seal	1
06	Cylinder Cover bumper	1
07	Hex Bolt M6*25	4
08	Gun Body frame	2
09	Cylinder Cover	1
10	Cylinder Cover sealing Gasket	1
11	Spring washer	1
12	Spring holder	1
13	Spring	1
14	Lining ring	1
15	O-ring 51*2.65	2
16	O-ring 42.5*2.5	1
17	on-off valve	1
18	Cylinder sealing Gasket	1
19	Piston-Driver	1
20	O-ring 37.5*3.55	1
21	Cylinder	1
22	O-ring 48.7*2.65	1
23	Sealing gasket	1
24	shaft washer	1
25	O-ring 74.4*3.1	1
26	Bumper	1
27	Gun Body	1
28	Model label	1
29	Warning Label	1
30	Rubban Grip	1
32	Spring pin 3*28	4
33	O-ring 34.5*2.65	1
34	Air inlet end cap	1
35	Hex Bolt M6*38	2
36	Plain Washer	1
38	O-ring 15.8*1.8	1
39	Valve frame	1
40	O-ring 11.3*1.85	1
41	Trigger Valve Bushing	1
42	O-ring 19*2.5	1
43	O-ring 6*1.9	1
44	Valve Sleeve	1
45	O-ring 6.4*2	1
46	O-ring 8.9*1.9	1
47	Trigger Valve Stem Spring	1
48	Trigger Valve Stem	1
49	O-ring 2.5*1.5	2
50	Trigger Sleeve	1
51	Pin 2*15	2
52	Hook Stop Lever	1

NO	Description	QTY
53	Trigger	1
54	Pin 3*15	2
55	Iron skateboard frame	1
56	Plastic skateboard frame	1
57	Spring	1
58	Safety	1
59	O-ring 46*2	1
60	O-ring 4*1.5	1
61	Nose	1
62	Hex Bolt M6*25	4
63	Bushing	4
64	cover plate Pin	1
65	Fixed rubber plug	1
66	Gun head protective film	1
67	trigger piece	1
68	Spring	1
69	Spring	1
70	Check nail claw	1
71	cover plate	1
72	Pin 3*12	1
73	Check nail pin	1
74	Send nail claw spring	1
75	Send nail claw	1
76	Send nail claw Pin	1
77	O-ring 9.9*2.4	1
78	Send nail piston	1
79	O-ring 20.4*2.4	1
80	Spring	1
81	Spring	1
82	Pin	1
83	buffer channel	1
84	Spring holder	1
85	Ring	1
86	Nail house cover	1
90	nail tray ass'y	1
92	Spring	1
93	adjust holder	1
94	Spring holder	2
95	Nai house	1
96	adjust holder seal	1
97	Nail house pin	1
98	Hex Bolt V6	2
99	Nose cap	1
100	Seal cap	1
101	Hex Bolt	1
102	Air inlet plug	1
103	Spring washer	4